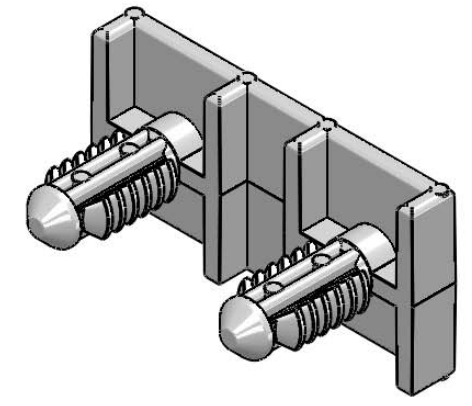
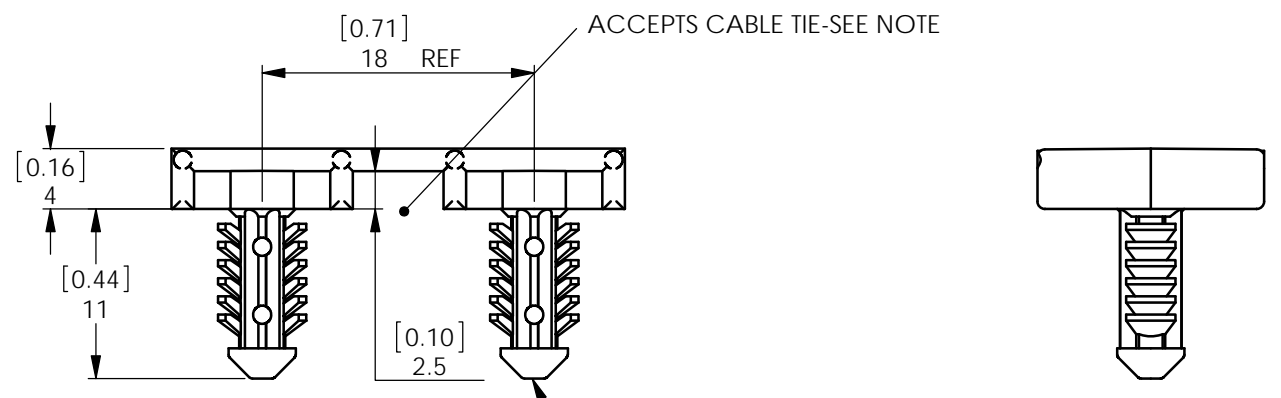
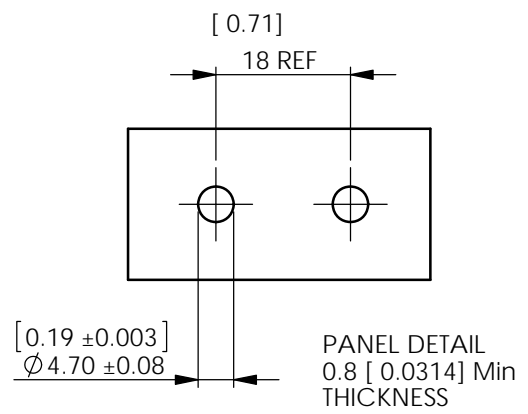
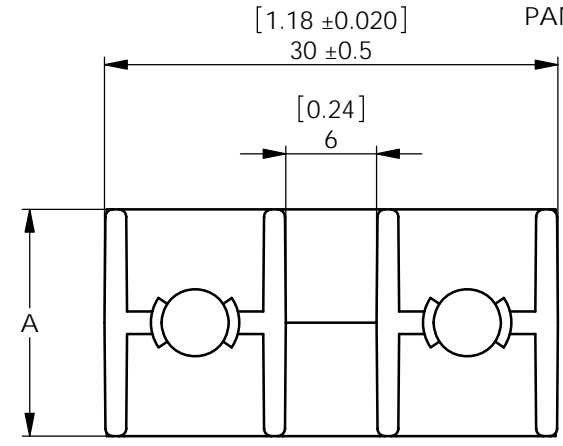


REV	MODIFICATION	DATE	DRN
01	PRODUCTION RELEASE	06/02/12	RA



PRESS FIT HOLE DIAMETER: $4.7 \pm 0.08 \times 2$ [0.1850]
 PITCHED 18mm[0.7086] APART.
 PANEL THICKNESS: 0.8 [0.0314] MIN



NOTE

ACCOMODATES ALL RICHCO CABLE TIE SERIES UP TO MAXIMUM RG-220 / 320 AVAILABLE IN OTHER NYLONS RMS 19/46/47/109 BY SPECIAL ORDER. TO ORDER REPLACE-19, -46, -47, -109 WITH -01, -01BK. ALTERNATE UNITS FOR REFERENCE ONLY.

INFORMATION CONTAINED IN THIS DOCUMENT IS CONFIDENTIAL TO RICHCO INTERNATIONAL Co. Ltd. AND MAY NOT BE DISCLOSED OR REPRODUCED IN WHOLE OR PART WITHOUT THEIR WRITTEN CONSENT.

RICHCO, INC.
 WWW.RICHCO-INC.COM

ALL DIMENSIONS IN mm
 GENERAL TOLERANCES ± 0.25
 UNLESS OTHERWISE STATED
 1 DECIMAL PLACE ± 0.25
 2 DECIMAL PLACES ± 0.10
 ANGULAR $\pm 1^\circ$

THIRD ANGLE

PART No		'A' DIMENSION
MATERIAL: NYLON6/6 UL94 V-2 (RMS-01) COLOR: NATURAL	MATERIAL: NYLON6/6 UL94 V-2 (RMS-01) COLOR: BLACK	
FTH-42-1-01	FTH-42-1-01BK	7 [0.275]
FTH-42-2-01	FTH-42-2-01BK	15 [0.590]
FTH-42-3-01	FTH-42-3-01BK	25 [0.984]

MATERIAL: SEE TABLE		COLOUR: SEE TABLE	
DESCRIPTION: CABLE HOLDER		PART No: SEE TABLE	
DRG No: 012-008	PROJECT NUMBER: EU11-0033	Mass:(g) XX	SHEET SIZE A4
DRN RA	DATE 06/02/12	CHKD SF	DATE 06/02/12
SCALE 2:1		SHEET No. 1 OF 1	