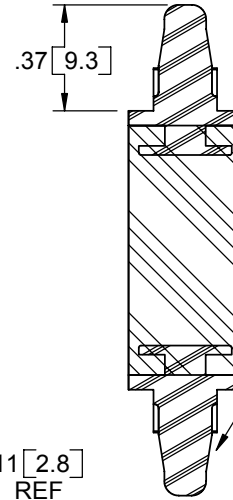
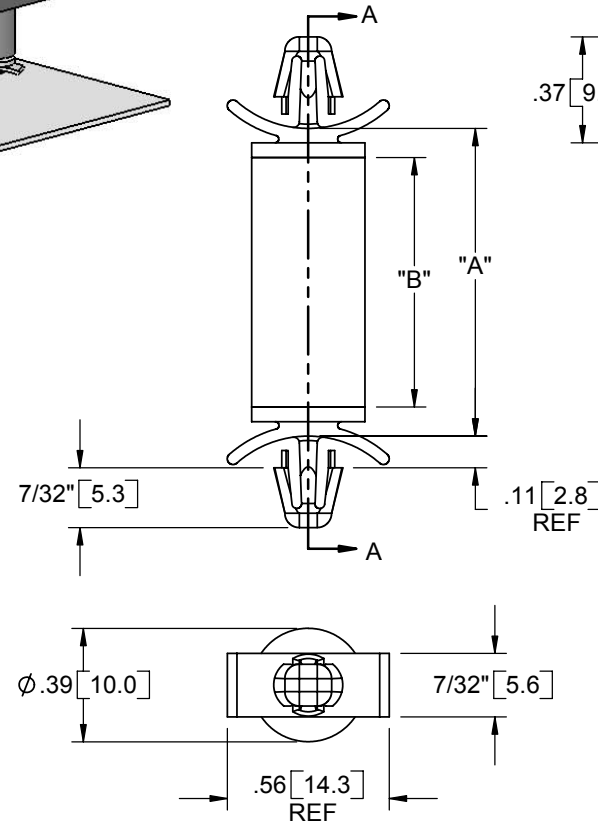
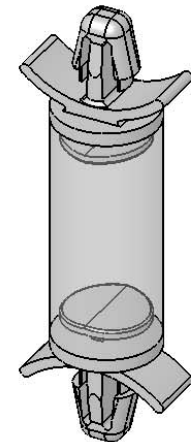


PART NO.	"A" ±.03 [0.8] UNCOMPRESSED	"B" REF	TARGET LOAD
HSCBS-1	.59 [14.9]	.38 [9.7]	2.2 LBF [9.8N]
HSCBS-2	.83 [21.0]	.62 [16.3]	
HSCBS-3	1.07 [27.1]	.87 [22.0]	
HSCBS-4	1.31 [33.2]	1.10 [28.0]	



SECTION A-A



- NOTES:
 1. MOUNT MATERIAL: FLAME RETARDANT NYLON 6/6 (RMS-169)
 COLOR: NATURAL
 2. DAMPER MATERIAL: THERMOPLASTIC ELASTOMER (RMS-168)
 HARDNESS: 45A
 COLOR: BLACK

REV.	DESCRIPTION	ENGR.	DATE
C	"A" DIMS REVISED, SEE ECN #1000 FOR CHANGES	SK	05/09/05
B	SEE ECN #934 FOR CHANGES	SK	02/04/05
A	RELEASED FOR PRODUCTION	SM	12/01/04

TITLE: HIGH SHOCK CIRCUIT BOARD SUPPORT				DWG IN IN [MM]		FINAL	
CREATED USING SOLIDWORKS		FILE #: HSCBS	DWN: SM	APP: DJZ		PART #	
TOLERANCES UNLESS NOTED .XX=±.010 .XXX=±.005 FRAC.=±1/64 ANG.=±1°		SHEET: 1 OF 1	SHEET SIZE: A	DT: 09/09/04	CHKD: SJ	PRINT TYPE	
RE: RICHCO, INC.		RICHCO, INC. ENG@RICHCO-INC.COM (773) 539-4060		SEE TABLE		CA	