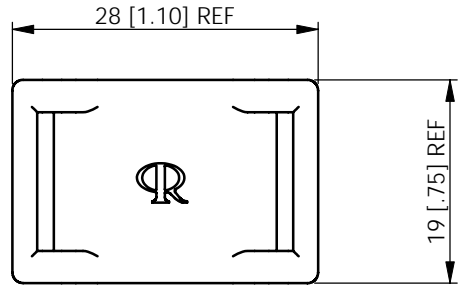
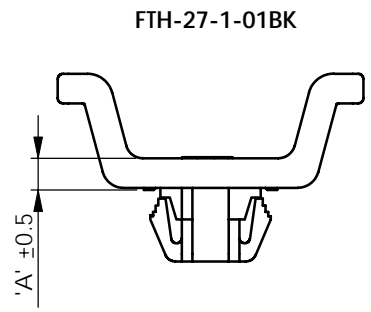


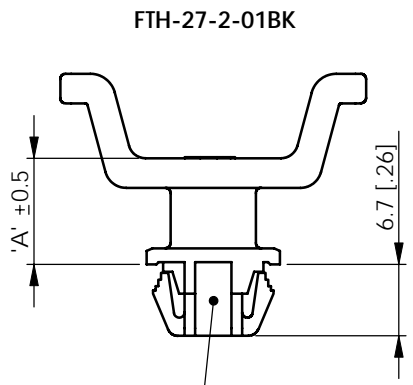
REV.	MODIFICATION.	DATE	DRN
01	SALES DRAWING	05/01/09	PH
02	CO 2010548	04/02/09	PH
03	CO 2010788	26/08/09	MT



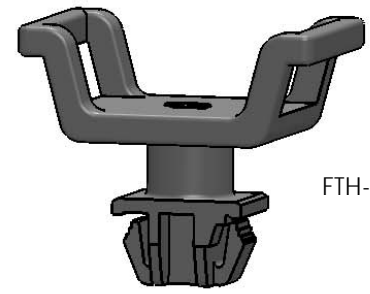
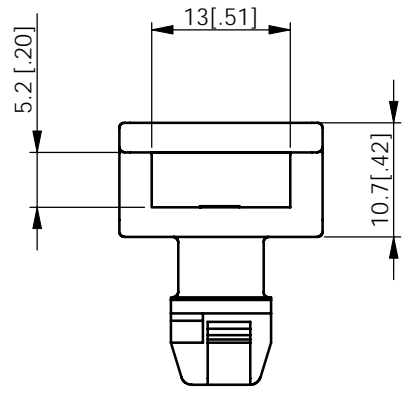
FTH-27-1-01BK



FTH-27-1-01BK



FTH-27-2-01BK



FTH-27-2-01BK

ALTERNATE UNITS FOR REFERENCE ONLY

SNAP LOCKS INTO A 9.5 ± 0.08 [.374 ± .003] SQUARE HOLE THROUGH A $0.8 - 2.0$ [.031 - .078] THICK PANEL

PART NUMBER	'A' ±0.5 DIMENSION
FTH-27-1-01BK	3 [.12]
FTH-27-2-01BK	10 [.39]

Available in UL94 V-0 material by special order. To order, replace -01 with -19.

INFORMATION CONTAINED IN THIS DOCUMENT IS CONFIDENTIAL TO RICHCO INTERNATIONAL Co. Ltd. AND MAY NOT BE DISCLOSED OR REPRODUCED IN WHOLE OR PART WITHOUT THEIR WRITTEN CONSENT.

RICHCO, INC.
WWW.RICHCO-INC.COM

ALL DIMENSIONS IN mm
 GENERAL TOLERANCES ±0.25
 UNLESS OTHERWISE STATED
 1 DECIMAL PLACE ±
 2 DECIMAL PLACES ±
 ANGULAR ±1°

THIRD ANGLE

MATERIAL: NYLON 6/6 UL 94 V-2 (RMS-01)		COLOUR: BLACK	
DESCRIPTION: FLAT TIE CABLE HOLDER		PART No: SEE TABLE	
DRG No: 09-002		NPR No: FN08-0005	
SHEET SIZE A4			
DRN PH	DATE 05/01/09	CHKD TC	DATE 05/01/09
SCALE NTS	SHEET No. 1 OF 1		