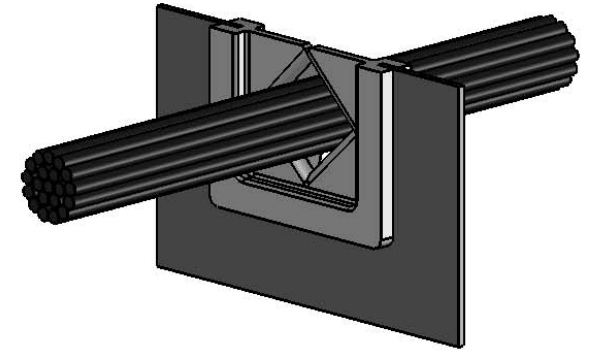
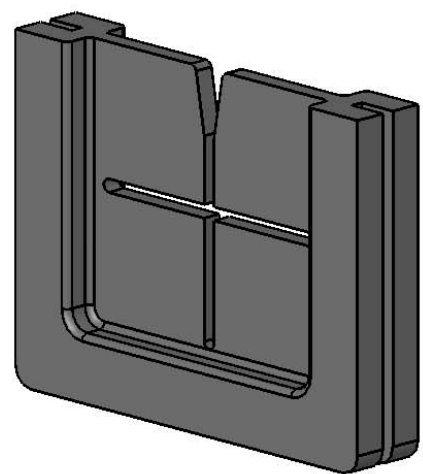
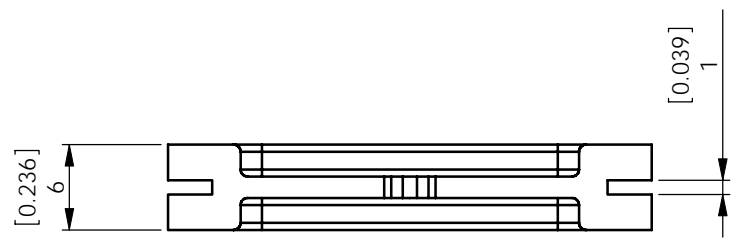


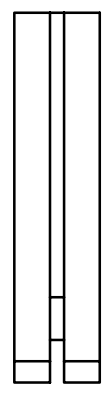
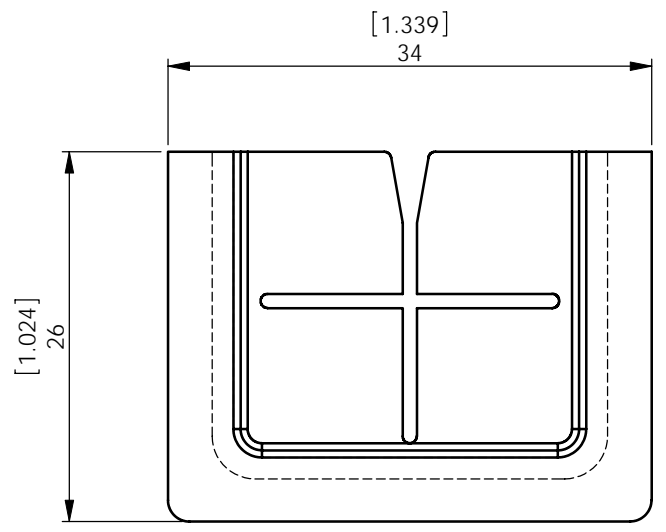
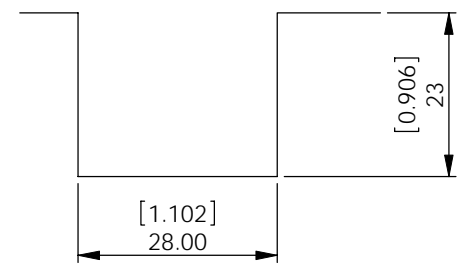
A B C D E F

AVAILABLE BY SPECIAL ORDER- NAFTA REGION ONLY

REV.	MODIFICATION.	DATE	DRN
01	NEW SALES DRG	24/04/08	MT



CUT OUT DETAILS
PANEL THICKNESS 1.0mm



NOTES:
TEMPERATURE RESISTANCE: 150°C
MAX BUNDLE Ø 15mm

INFORMATION CONTAINED IN THIS DOCUMENT IS CONFIDENTIAL TO RICHCO INTERNATIONAL Co. Ltd. AND MAY NOT BE DISCLOSED OR REPRODUCED IN WHOLE OR PART WITHOUT THEIR WRITTEN CONSENT.

Richco METRIC PRIMARY UNITS:mm
IMPERIAL SECONDARY UNITS:[inches]
GENERAL TOLERANCES ±0.25 [0.010]
UNLESS OTHERWISE STATED
1 DECIMAL PLACE ±
2 DECIMAL PLACES ±
ANGULAR ±1° **THIRD ANGLE**

MATERIAL: HIGH TEMP RUBBER. SHORE A 70+/- 5 (RMS-378) COLOUR: BLACK

DESCRIPTION: CABLE GROMMET PART No: CGA-1

DRG No: 05-066 NPR No: 2004-241 WEIGHT: 3.3 SHEET SIZE: A4

DRN: MT DATE: 24/04/08 CHKD: BO DATE: 21/05/08 SCALE: NTS SHEET No: 1 OF 1