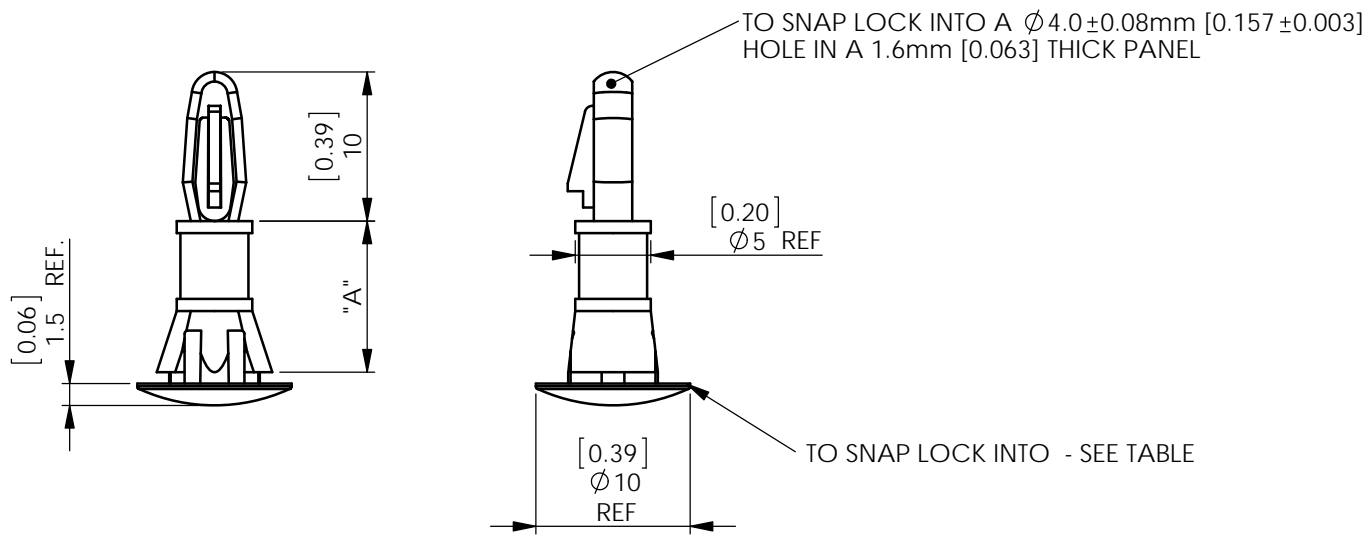


| REV. | MODIFICATION.      | DATE     | DRN |
|------|--------------------|----------|-----|
| 01   | Production Release | 20/03/12 | DT  |



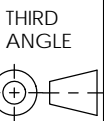
| PART NUMBER    | "A" ±0.4 [0.016] | PANEL THICKNESS (mm)         | TO SNAP LOCK INTO A Ø HOLE |
|----------------|------------------|------------------------------|----------------------------|
| CRLCBSM-5-19   | 5 [0.20]         | 0.8 - 1.2<br>[0.031 - 0.047] | Ø6 [0.24]                  |
| CRLCBSM-6-19   | 6 [0.24]         |                              |                            |
| CRLCBSM-7-19   | 7 [0.28]         |                              |                            |
| CRLCBSM-8-19   | 8 [0.31]         |                              |                            |
| CRLCBSM-9-19   | 9 [0.35]         |                              |                            |
| CRLCBSM-10-19  | 10 [0.39]        |                              |                            |
| CRLCBSM-12-19  | 12 [0.47]        |                              |                            |
| CRLCBSM-14-19  | 14 [0.55]        |                              |                            |
| CRLCBSM-16-19  | 16 [0.63]        |                              |                            |
| CRLCBSM1-5-19  | 5 [0.20]         |                              |                            |
| CRLCBSM1-6-19  | 6 [0.24]         |                              |                            |
| CRLCBSM1-7-19  | 7 [0.28]         |                              |                            |
| CRLCBSM1-8-19  | 8 [0.31]         |                              |                            |
| CRLCBSM1-9-19  | 9 [0.35]         |                              |                            |
| CRLCBSM1-10-19 | 10 [0.39]        |                              |                            |
| CRLCBSM1-12-19 | 12 [0.47]        |                              |                            |
| CRLCBSM1-14-19 | 14 [0.55]        |                              |                            |
| CRLCBSM1-16-19 | 16 [0.63]        |                              |                            |

ALTERNATE UNITS FOR REFERENCE ONLY

INFORMATION CONTAINED IN THIS DOCUMENT IS CONFIDENTIAL TO RICHCO INTERNATIONAL Co. Ltd. AND MAY NOT BE DISCLOSED OR REPRODUCED IN WHOLE OR PART WITHOUT THEIR WRITTEN CONSENT.

**RICHCO, INC.**  
WWW.RICHCO-INC.COM

ALL DIMENSIONS IN mm  
GENERAL TOLERANCES ±0.25  
UNLESS OTHERWISE STATED  
1 DECIMAL PLACE ±0.25  
2 DECIMAL PLACES ±0.10  
ANGULAR ±1°



MATERIAL:  
NYLON 6/6 UL94 V-0 (RMS-19)

COLOUR:  
NATURAL

DESCRIPTION: CUPPED REVERSE LOCKING  
CBS, ROUND HOLE, METRIC

PART No:  
SEE TABLE

DRG No:  
012-035

PROJECT NUMBER:  
EU12-0017

SHEET SIZE  
A4

DRN  
DT

DATE  
02/03/12

CHKD  
SF

DATE  
21/03/12

SCALE  
NTS

SHEET No.  
1 OF 1