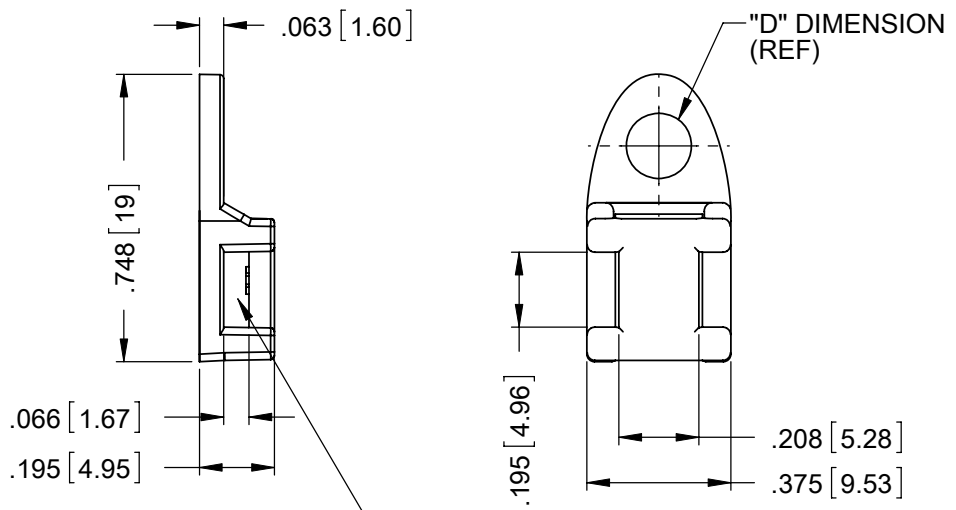
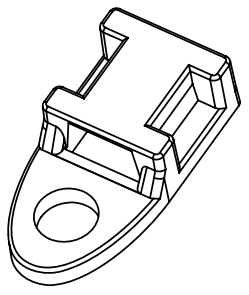


PART NO.	"D" DIMENSION	REC. FAST.
FTH-34-01	.170 [4.30]	#8 (M4) SCREW
FTH-35-01	.200 [5.10]	#10 (M5) SCREW



ACCOMMODATES WIT / WITA-18 THRU -50 TIES

MATERIAL NOTES TO READ:
 1.MATERIAL: NYLON 6/6 UL 94 V-2 (RMS-01).
 -NYLON 6/6 UL 94 V-0 (RMS-19),
 AVAILABLE BY SPECIAL ORDER ONLY.
 TO ORDER REPLACE "-01" WITH "-19"
 2.COLOR: NATURAL
 BLACK COLOR AVAILABLE BY SPECIAL
 ORDER. TO ORDER , ADD SUFFIX "BK" TO THE
 END OF PART NUMBER.
 3.ALTERNATE UNITS FOR REFERENCE ONLY

TITLE: TIE ANCHOR MOUNT				DWG IN IN [MM]		FINAL	
CREATED USING SOLIDWORKS	FILE #: FTH CA	DWN: T.Y	APP: W.H	FINAL			
TOLERANCES UNLESS NOTED .XXX=±.010 FRAC.=±1/32 ANG.=±3°	SHEET: 1 OF 1	SHEET SIZE: A	DT: 10.17.07	CHKD: J.T	PART #		PRINT TYPE
	RE: RICHCO XIAMEN		RICHCO XIAMEN		SEE TABLE		CA
			RICHCO_XIAMEN@RIHCO.CN (+86)592-6884500				

REV.	DESCRIPTION	ENGR.	DATE
C	SEE CO 220065 FOR CHANGES	T.Y	10.10.12
B	SEE CO 220061 FOR CHANGES	T.Y	08.06.10
A	RELEASED FOR PRODUCTION	T.Y	10.17.07