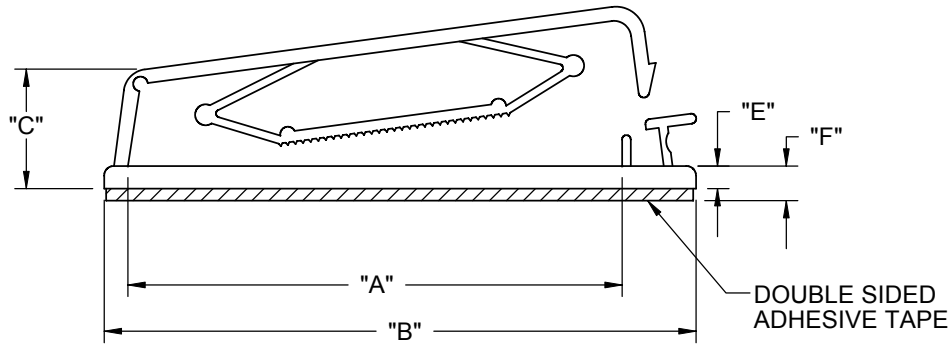
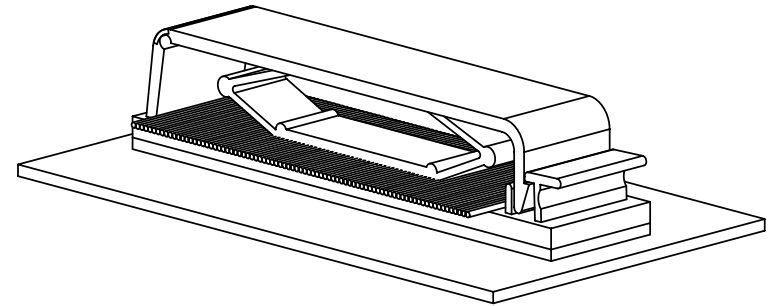
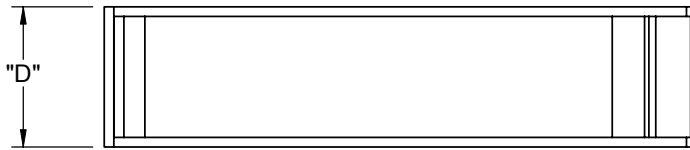


PART NO.	MAX. NO. OF CONDUCTORS	"A" REF	"B"	"C"	"D"	"E"	"F" REF.
TFCC-30-01	30	32 [1.26]	45+1.5/-0.5 [1.77]	15.8±0.5 [.62]	18.6+1.2/-0.3 [.73]	3±0.2 [.12]	4.6 [.18]
TFCC-40-01	40	54 [2.13]	67±1 [2.64]		15.8±1 [.62]	3.1±0.2 [.12]	4.7 [.19]
TFCC-50-01	50	65.2 [2.57]	78.4+1.5/-0.5 [3.09]		18.8+1.2/-0.3 [.74]		



- NOTES:  
 1. MATERIAL: NYLON 6/6 UL 94 V-2 (RMS-01)  
 2. COLOR: NATURAL  
 3. TAPE: ACRYLIC (RMS-92)  
 4. PART DESIGNED IN MM, INCH CONVERSION IS FOR REFERENCE ONLY.

TITLE: TENSION FLAT CABLE CLAMP			DWG IN MM [IN]		FINAL		
CREATED USING SOLIDWORKS	FILE #: TFCC	DWN: SK	APP: BR	PART #			PRINT TYPE
GENERAL TOLERANCE ±0.25 MM UNLESS OTHERWISE STATED	SHEET: 1 OF 1	SHEET SIZE: A	DT: 08/25/05	CHKD: RT	SEE TABLE		CA
RE: RICHCO, INC.	RICHCO, INC. ENG@RICHCO-INC.COM (773) 539-4060						
H SEE CO 200082 FOR CHANGES	SK 12/06/07						
G SEE CO 200041 FOR CHANGES	SK 09/28/07						
F REDRAWN, SEE ECN #1043 FOR CHANGES	SK 08/25/05						
- SEE ENGINEERING FOR REVISIONS A-E	---						
REV. DESCRIPTION	ENGR. DATE						