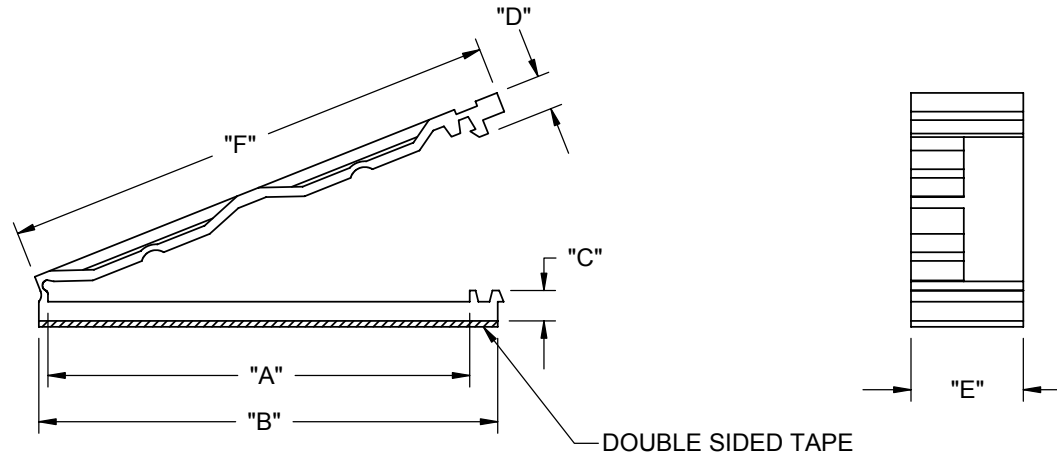


PART NO.	"A"	"B"	"C"	"D"	"E"	"F"	SUITABLE CABLE
TFCM-25S	.87 (22.0)	1.06 (27.0)	.12 (3.0)	.19 (4.7)	.39 (10.0)	1.26 (32.0)	15 PIN
TFCM-25	1.15 (29.3)	1.44 (36.5)	.12 (3.0)	.19 (4.7)	.39 (10.0)	1.57 (40.0)	20 PIN
TFCM-25M	2.20 (55.8)	2.41 (61.2)	.16 (4.0)	.19 (4.7)	.59 (15.0)	2.59 (66.0)	40 PIN

ALL DIMENSIONS ARE FOR REFERENCE ONLY



NOTES:

- MATERIAL: NYLON 6/6 (RMS-01)
FLAME RETARDANT NYLON AVAILABLE BY SPECIAL ORDER
- COLOR: NATURAL
- TAPE: 1/32" (0.8) THICK DOUBLE SIDED FOAM ADHESIVE (RMS-92A)

A		RELEASED FOR PRODUCTION	SM	05/28/03	TITLE: TENSION FLAT CABLE CLAMP			⊕	≡	DWG IN IN [MM]	QR
REV.		DESCRIPTION	ENGR.	DATE	CREATED USING SOLIDWORKS	FILE #: TFCM	DWN: S.J.	APP: SJ	FINAL		
					TOLERANCES UNLESS NOTED .XX=±.010 .XXX=±.005 FRAC.=±1/64 ANG.=±1°	SHEET: 1 OF 1	SHEET SIZE: A	DT: 5.27.03	CHKD: DJZ	PART #	PRINT TYPE
					RE: RICHCO, INC.	RICHCO, INC. ENG@RICHCO-INC.COM (773) 539-4060		SEE TABLE		CA	