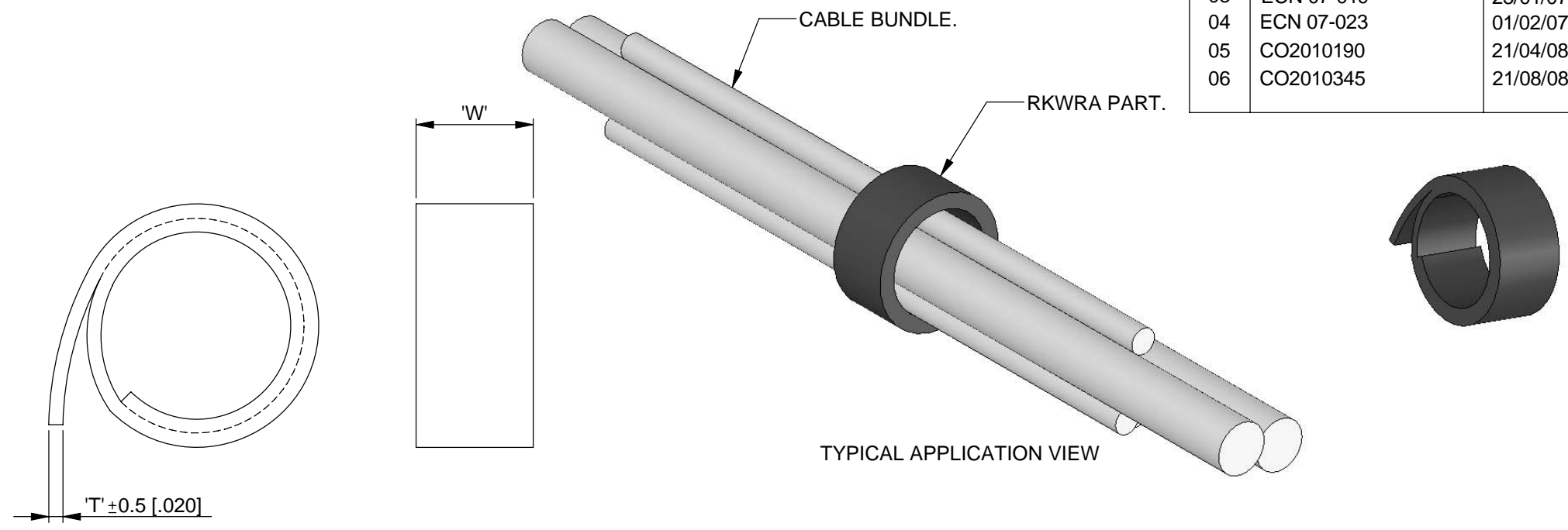



REV.	MODIFICATION.	DATE	DRN
01	NEW DRAWING	09/11/04	NJB
02	ECN 04-221	09/12/04	NJB
03	ECN 07-019	23/01/07	NJB
04	ECN 07-023	01/02/07	NJB
05	CO2010190	21/04/08	SF
06	CO2010345	21/08/08	SF



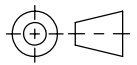
PART NO.	WIDTH 'W'	THICKNESS 'T' ±0.5 [0.020]	PACKAGING
RKWRA-09-XX	9 [.354]	3 [.118]	4 REELS X 25M
RKWRA-16-XX	16 [.630]	3 [.118]	2 REELS X 25M
RKWRA-20-XX	20 [.788]	3 [.118]	2 REELS X 25M
RKWRA-25-XX	25 [.984]	3 [.118]	2 REELS X 25M

- NOTES:**
- 1) ALL PRIMARY DIMENSIONS IN mm, SECONDARY DIMENSIONS IN [INCHES].
 - 2) MATERIAL: NYLON LOOP (RMS-312), LAMINATED ON A POLYESTER/POLYPROPYLENE HOOK (RMS-342).
 - 3) THICKNESS: 3 (0.118) ± 0.5 (0.019).
 - 4) TO ORDER COLOURS, ADD SUFFIX TO 'PART No' BLACK = BK, WHITE = WH, BLUE = BL, RED = RD, YELLOW = YL, GREEN = GR. OTHER COLOURS AVAILABLE BY SPECIAL ORDER.
 - 5) LENGTHS PRE-CUT ON REQUEST.

INFORMATION CONTAINED IN THIS DOCUMENT IS CONFIDENTIAL TO RICHCO INTERNATIONAL Co. Ltd. AND MAY NOT BE DISCLOSED OR REPRODUCED IN WHOLE OR PART WITHOUT THEIR WRITTEN CONSENT



GENERAL TOLERANCES ±0.25 [0.010]
UNLESS OTHERWISE STATED
1 DECIMAL PLACE ±
2 DECIMAL PLACES ±
ANGULAR ±1°

MATERIAL: SEE NOTES		COLOUR: SEE NOTES	
TITLE: RICHCO KWIK WRAP, FASTENER IN REEL.		PART No: SEE TABLE	
DRG No: 04-147	NPR REF:		SIZE A4
DRN NJB	DATE 09/11/04		CHKD RC
SCALE NTS		SHEET No 1 OF 1	