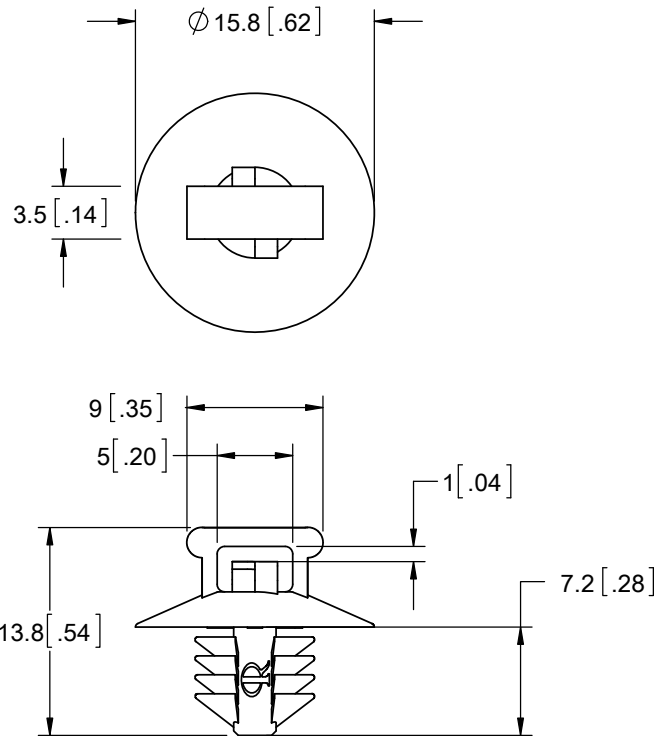


MATERIAL: NYLON 6/6 UL94 V-2 (RMS-01), COLOR:BLACK

PART NUMBER	PANEL HOLE $\varnothing$	PANEL THICKNESS	CABLE TIE ACCEPTED
FTH-36-01BK	6.5 - 7 [.26 - .28]	0.8 - 3 [.03 - .12]	WIT/WITA -40 & -50



- NOTES:  
 1. ALTERNATE UNITS FOR REFERENCE ONLY.  
 2. OTHER COLORS AND MATERIALS AVAILABLE BY SPECIAL ORDER.  
 3. AVAILABLE ASSEMBLED WITH CABLE TIE BY SPECIAL ORDER.

A			RELEASED FOR PRODUCTION, CO 200654			SK 09/15/11			TITLE: <b>FIR TREE CABLE TIE HOLDER</b>			UNITS= mm [IN]							
REV.			DESCRIPTION			ENGR. DATE			CREATED USING SOLIDWORKS GENERAL TOLERANCE UNLESS NOTED $\pm 0.25$ ANG. $\pm 1^\circ$			FILE #: FTH-36 SHEET: 1 OF 1 SHEET SIZE: A RE: RICHCO, INC.		DWN: SK DT: 05/17/11 APP: SK CHKD: DZ RICHCO, INC. WWW.RICHCO-INC.COM		PART # <b>SEE TABLE</b>		PRINT TYPE <b>CA</b>	
												FINAL							