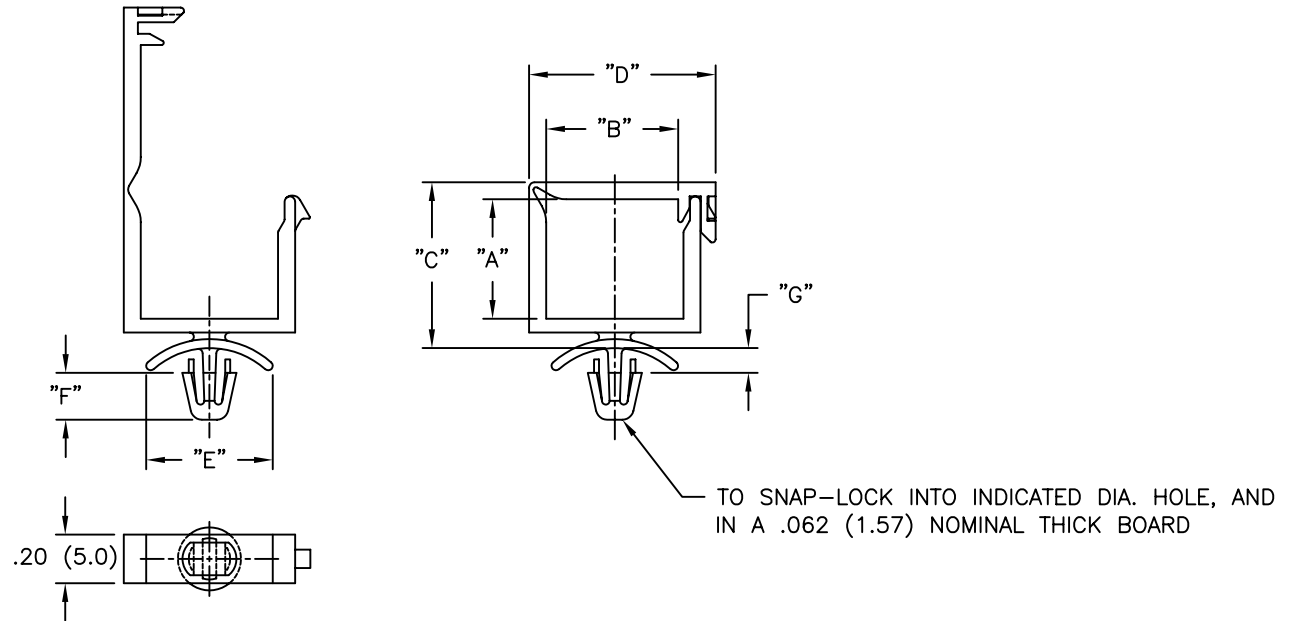


| PART NO.        | DIM. "A"   | DIM. "B"   | DIM. "C"    | DIM. "D"   | DIM. "E"      | DIM. "F"      | DIM. "G"  | HOLE DIA.<br>±.003 (±0.08) |
|-----------------|------------|------------|-------------|------------|---------------|---------------|-----------|----------------------------|
| WSLT-3.5-2-1-01 | .14 (3.4)  | .53 (13.5) | .35 (8.9)   | .77 (19.6) | .38 (9.5)     | .118 (3.0)    | .10 (2.5) | .138 (3.50)                |
| WSLT-02-1       | .19 (4.8)  | .42 (10.7) | .37 (9.4)   | .66 (16.8) | .56<br>(14.3) | 7/32<br>(5.6) | .11 (2.8) | .187 (4.75)                |
| WSLT-01A        | .35 (8.8)  |            | .42 (10.6)  |            |               |               |           |                            |
| WSLT-01-2       | .39 (10.0) | .57 (14.6) |             |            |               |               |           |                            |
| WSLT-02A        | .55 (14.1) | .62 (15.8) |             |            |               |               |           |                            |
| WSLT-03-2       | .71 (18.0) | .77 (19.6) |             |            |               |               |           |                            |
| WSLT-03-3       | .85 (21.7) | .71 (18.0) | 1.07 (27.3) | .95 (24.1) |               |               |           |                            |



NOTES:

- MATERIAL: NYLON 6/6 (RMS-01), UL94 V-2.  
FLAME RETARDANT, NYLON (RMS-19), UL94 V-0,  
AVAILABLE BY SPECIAL ORDER ONLY.  
SPECIFIED MATERIALS COMPLY WITH STANDARD SS-00259-1.
- COLOR: NATURAL.
- ALL DIMENSIONS ARE REFERENCE.

| TITLE: WIRE SADDLE-LOCKING TOP  |  |  | DWG IN IN (MM)   |              | FINAL |                  |
|---|--|--|--|--------------|-------|------------------|
| TOLERANCES UNLESS NOTED<br>.XX=±.010<br>.XXX=±.005<br>FRAC=±1/64<br>ANG=±1' |  |  | FILE # WSLT  | DWN: SM      | APP:  | PART #           |
| MAT'L: SEE NOTES  |  |  | RE: RICHCO, INC.   | DT: 03/06/02 | DT:   | SEE TABLE        |
| I SEE ECN #853 FOR CHANGES SM 09.20.04                                      |  |  | RICHCO INC.<br>PO BOX 804238, CHICAGO, 60680<br>(773) 539-4060 |              |       | PRINT TYPE<br>CA |
| - SEE ENGINEERING FOR REV. A-H -  |  |  |  |              |       |                  |
| REV DESCRIPTION ENGR DATE   |  |  |  |              |       |                  |