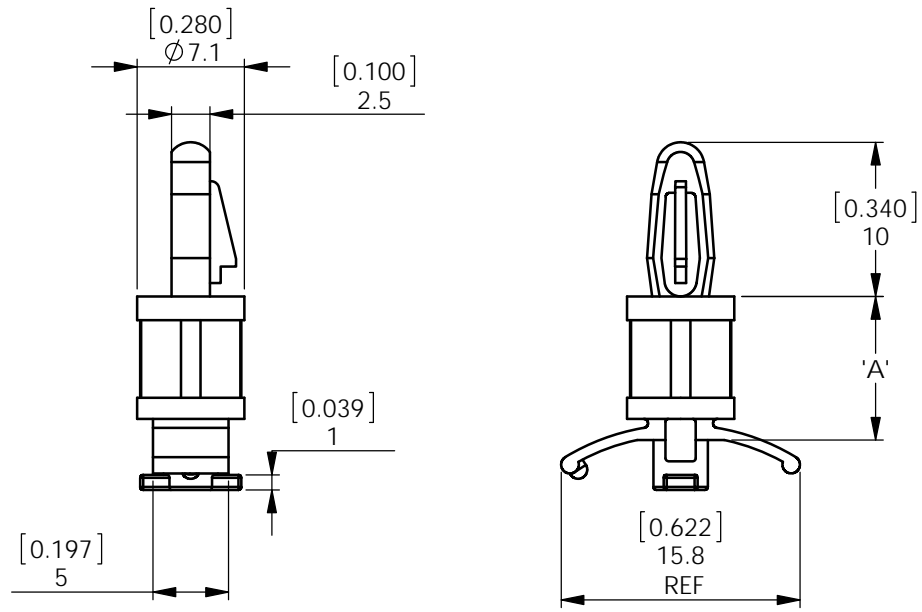


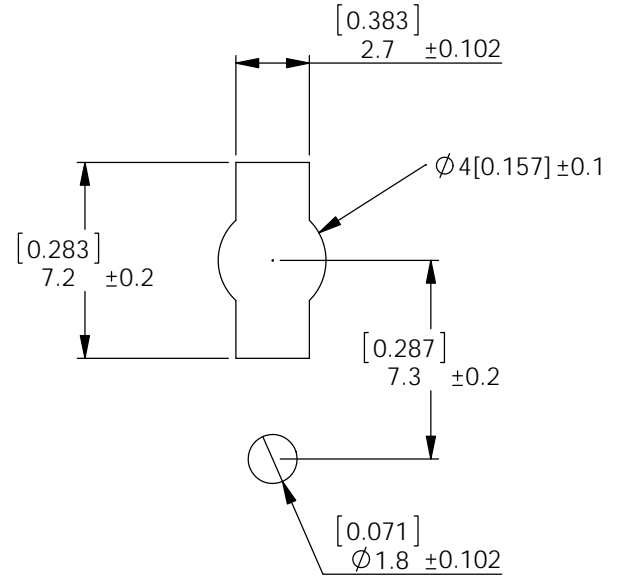
A B C D E F

REV.	MODIFICATION.	DATE	DRN
01	CO2011111	25/02/11	SF

TOP FIX: TO SNAP-LOCK INTO A $\phi 4[0.157] \pm 0.08[0.003]$ HOLE, IN A 1.6[0.063] THICK PANEL



HOLE PANEL DETAIL



BOTTOM FIX: TO FIT THE INDICATED HOLE DETAIL, IN A 0.8-1.6[0.319-0.063] THICK PANEL

PART NUMBER		DIM 'A' ±0.4[.015]
NYLON 6/6 UL94-V2(RMS-01)	NYLON 6/6 UL94-V0(RMS-19)	
COLOUR: NATURAL	COLOUR: NATURAL	
LCBS-9-3-01	LCBS-9-3-19	4.8[.189]
LCBS-9-4-01	LCBS-9-4-19	6.4[.252]
LCBS-9-5-01	LCBS-9-5-19	7.9[.311]
LCBS-9-6-01	LCBS-9-6-19	9.5[.374]
LCBS-9-7-01	LCBS-9-7-19	11.1[.437]
LCBS-9-8-01	LCBS-9-8-19	12.7[.500]
LCBS-9-10-01	LCBS-9-10-19	15.9[.626]
LCBS-9-12-01	LCBS-9-12-19	19.1[.752]
LCBS-9-14-01	LCBS-9-14-19	22.2[.874]
LCBS-9-16-01	LCBS-9-16-19	25.4[1.00]
LCBS-9-18-01	LCBS-9-18-19	28.6[1.126]
LCBS-9-20-01	LCBS-9-20-19	31.8[1.252]
LCBS-9-22-01	LCBS-9-22-19	34.9[1.374]
OTHER COLOURS AVAILABLE BY SPECIAL ORDER		

INFORMATION CONTAINED IN THIS DOCUMENT IS CONFIDENTIAL TO RICHCO INTERNATIONAL Co. Ltd. AND MAY NOT BE DISCLOSED OR REPRODUCED IN WHOLE OR PART WITHOUT THEIR WRITTEN CONSENT.

RICHCO, INC.
WWW.RICHCO-INC.COM

ALL DIMENSIONS IN mm[inches]
GENERAL TOLERANCES ±0.25
UNLESS OTHERWISE STATED
1 DECIMAL PLACE ±
2 DECIMAL PLACES ±
ANGULAR ±1°

THIRD ANGLE

MATERIAL: SEE TABLE COLOUR: SEE TABLE

DESCRIPTION: LOCKING CIRCUITBOARD SUPPORT PART No: SEE TABLE

DRG No: 011-042 NPR No: SHEET SIZE A4

DRN SF	DATE 25/02/11	CHKD JK	DATE 25/02/11	SCALE NTS	SHEET No. 1 OF 1
-----------	------------------	------------	------------------	--------------	---------------------

A B C D E F FORM No. 0143/00